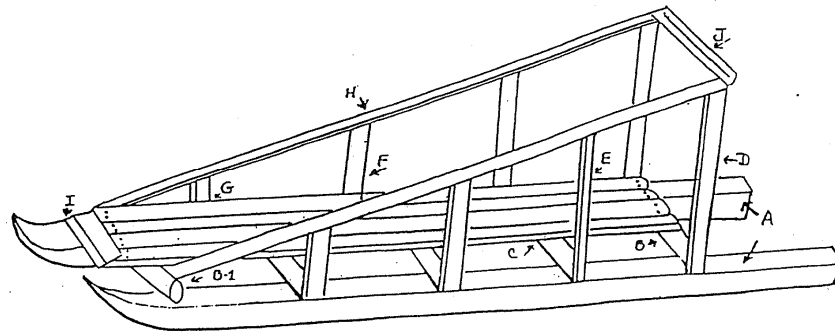


2010
Cacoosing District
Klondike Derby Guidebook
And Registration Materials



Event Date: January 23, 2010
HAWK MOUNTAIN COUNCIL
CACOOSING DISTRICT

Dear Scoutmaster:

The 2010 Klondike Derby continues a great tradition of Cacoosing District winter activity and fun. This year's Klondike Derby Planning Committee has already started mapping out this year's event and making it more fun and exciting.

Please take the time to read the attached booklet and become familiar with its contents. There are some additional pages for those who will be camping at HMSR during Klondike weekend, so please look over all the registration materials. Patrols must register their sleds with all pertinent equipment. This booklet may be passed onto your Klondike Patrols potential Patrol Leader or Senior Patrol Leader, so they have an understanding of this years' event.

This year we are planning a variation of last year's format. We have made some adjustments and anticipate the event to run much smoother than last year.

Once again the patrols should "Be Prepared" to use their skills for all stations. Patrols will end up at a designated location at lunchtime and prepare a hot lunch with items found on the sled. Lunch preparation guidelines are being made at this writing.

Be aware of the limited role that you and other adults actually have with your Patrols once the Klondike begins. This will be a SCOUT event conducted on a PATROL basis. A Patrol consists of no less than 4 scouts and no more than 8, unless special circumstances exist such as a troop with 9 Scouts. Each Troop is required to provide two-deep adult leadership as required under scouting guidelines and we will also use and need extra help staffing the stations and other required areas throughout the day. However, 2 deep leadership does not mean the leaders stay with the sled during the event. Eagle Scouts or OA Members not participating in the Klondike are encouraged to volunteer to help out at the stations or scoring. We will also need volunteers for sled registration, scoring and hospitality crew for the Stations. Information on how to volunteer is provided in the Registration Format the end of this booklet.

Don't be afraid to ask questions prior to the event. Having your Patrols prepared will help make this event fun for all. Any questions should be addressed to Peter Secor (484)-794-1754, Bonnie Wyandt (610) 763-7219 or Walt Schneider, at (610) 926-3406.

As you may or may not know Randy Bjorken, who has been the Klondike and First Aid Rally chairperson is stepping down to allow a new team to become involved and grow in the scouting community. Through Randy's leadership the Klondike event attendance has been growing. We would like to extend heartfelt thanks to Randy for all that he has done, and we look forward to his guidance as we move forward.

Yours in Scouting,

2010 Klondike Committee

Date: Saturday, January 23, 2010

THE EVENT WILL BE HELD RAIN, SNOW, OR SHINE. NO ALTERNATE DATE WILL BE SET. Cancellation, if necessary, will be broadcast by WRFY (102.5 FM) and WEEU (850 AM) by 7:00 AM on Saturday.

Time 8:00 AM to 4:00 PM (end time denotes after awards/hotdogs & Trading Post)

Place: Hawk Mountain Scout Reservation, Parking Lot Shelter

Start It is necessary for Troops to pre-register using the attached Forms. **Registration begins at 7:45 AM.** Patrols are to report to the parking lot for registration and initial inspection. The event will start promptly at 8:30am. NOTE: Vehicles must stay at the main parking lot. Troops hosting a particular event are allowed to bring a vehicle with equipment to their designated event station, but should not block the station entrance.

Teams: Not less than 4 or more than 8 boys per Patrol. One Scout is to be the driver; all remaining Scouts pull the sled. The team should be a natural Patrol if possible. Contact the Committee prior to the event if a special circumstance applies. Example, your troop consists of 9 boys and you have only one sled.

BASIC INFORMATION

THE REGISTRATION DEADLINE IS FRIDAY, JANUARY 15, 2010 BY 5:00PM AT THE HAWK MOUNTAIN COUNCIL, BEAVER FAMILY SERVICE CENTER. REGISTRATIONS RECEIVED AFTER THE DEADLINE WILL BE ASSESSED A \$1.00 PER SCOUT LATE FEE AND ACCEPTED ON A SPACE AVAILABLE BASIS.

1. **Fee for the Derby is \$7.00 per Scout or Leader.** Register by Troop using the attached Registration form. The fee will include a Klondike Derby patch, hot dog & hot chocolate, and insurance costs.
2. For emergency reasons, we require that at least 2 adult leaders per Troop (one of whom must be over the age of 21, and Youth Protection Trained) remain on Reservation property during the Derby.
3. Patrol streamers for skill recognition, patches, and any other items will be given to the adult leaders during the event, at the Hofmann Admin. Building.
4. Adult leaders should not be in the station areas, unless assigned, while Patrols are competing. Troop Leaders are NOT to be involved in scoring their own troop's patrols. Failure to comply can cause a loss of points for the Patrol. To volunteer at a station call Pete Secor or Bonnie Wyandt at the numbers provided. Adult leaders are strongly encouraged to help staff the stations.
5. If a Patrol fails to complete the trail they must check with a station judge BEFORE leaving the Scout Reservation to confirm withdrawal and leaving. Contact Registration by radio.
6. Patrols must follow the trail that is outlined for the event. This map and all instructions for the Derby will be provided to the Patrol Leaders at Registration. **Be prepared** for all stations.
7. As always, proper Scout conduct **AND LANGUAGE** are expected throughout this event

REQUIRED EQUIPMENT

PERSONAL EQUIPMENT-1point each item

Mess Kit and eating utensils for each Scout

Rain/snow gear

BSA Folding pocketknife (NO FIXED BLADES ALLOWED, ONLY FOLDING BSA 3 3/8" max blade or less)

Totin' Chip & Firem'n Chit for each qualified scout

Cold weather clothing, gloves and cap, extra pair of socks in coat pocket

Weatherproof shoes or boots

NOTE: SCOUTS MUST HAVE STOCKING CAPS OR HATS THAT COVER THE EARS. GLOVES OR MITTENS, AND WEATHERPROOF SHOES OR BOOTS, ATHLETIC SHOES WILL NOT BE PERMITTED ON THE TRAIL. HOODS DO NOT QUALIFY AS PROPER HEADGEAR, BUT ARE RECOMMENDED AS ADDITIONAL COVER. ANYONE NOT PROPERLY ATTIRED WILL NOT BE PERMITTED ON THE TRAIL!!!!!!

JUDGES DECISION AT INITIAL SLED INSPECTION IS FINAL!!!!!!!

PATROL EQUIPMENT: 3pts. for sled and 1 point for each item listed (17)

Sled made to meet required specifications noted herein

One Troop tent w/fly & stakes

(optional) Dutch Oven and cleaning materials (charcoal will be provided, but Be Prepared)

Shovel (camp shovel, NOT plastic)

Patrol cooking gear

Hobo stove with firewood (camp stove for cooking lunch permissible)

Patrol first aid kit

Sled repair kit

Water jug(s) to hold 2 gallons of water

Watch with second hand or digital with lap timer

Rope (20-50 feet)

Duffel or plastic bag suitable for a Bear Bag and holding cooking items

Minimum of 2 compasses

One blanket (at least full size for making an emergency stretcher)

Paper/mechanical pencil or regular pencils, clipboard within a plastic bag (Pens may freeze)

Coffee can or plastic container with a roll of toilet paper

Complete roster of all Scouts who hold Totin' Chip cards and Fireman Chit

Tinder and kindling (as found in nature) for the fire building station

NOTE: NO SCOUT OR OTHER HANDBOOKS, CELL PHONES, OR WALKIE-TALKIES ARE PERMITTED ON THE TRAIL. IF ANY OF THESE ARE USED, POINT DEDUCTIONS AND/OR DISQUALIFICATIONS WILL RESULT.

REMEMBER: NO PROPANE TANKS OVER 1 GALLON!

SLED INFORMATION

SLED SPECIFICATIONS:

Sleds may be of your own design or you may use the sample plan that is attached. All sleds must be built to the following specifications:

1. Capable of transporting one Scout and 50 or more pounds of gear.
2. Length 5 foot minimum; 6 1/2 foot maximum.
3. Width - 18 inch minimum; 24 inch maximum.
4. Sleds must have a minimum of 4-inch ground clearance.
5. ***Wheels will be permitted if no or little snow accumulation. Wheels should be removable at a moments notice and may either be a 2-wheel, 3-wheel, or 4-wheel configuration. 10 inch maximum wheel diameter (measurement includes tire tread).***
6. Sleds are to be made of wood. Metal hardware may be used.
7. Sleds should have two ropes of 3/4 inch - 12 feet long, - one for each side of the sled (no wash line or twine). A brake rope at the rear of the sled is essential.
8. A sled repair kit with 4-5 items is required for minor sled repairs that may be needed on the trail.

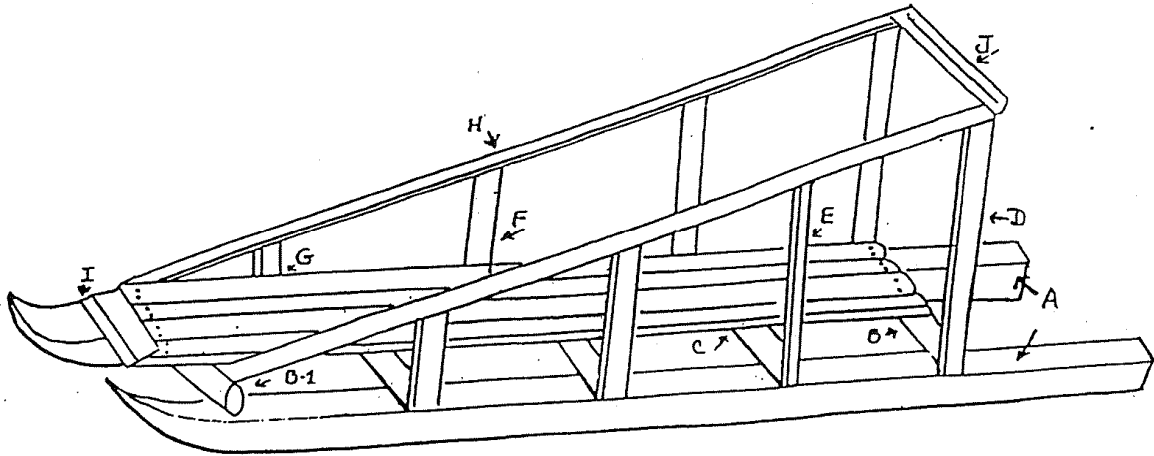
If commercial skis are used as runners, they must be reinforced with a 1" x 4" or heavier boards (preferably oak or other hardwood). Sleds should have a restraining system on the sides to prevent the loss of Patrol gear (wire, cloth or plastic mesh or similar). Side rails make lifting of the sled easier over ditches or logs. The drawing of the sled below should only be used as a guide by the patrols in designing their personal sleds. Don't be afraid to use your imagination! Your own design will be accepted provided it conforms to the dimensions specified on the previous page. Just make sure that the sled you build is strong enough to bear the weight of your driver and your equipment and durable enough to withstand the rugged trails of Hawk Mountain Scout Reservation.

TIPS: Use screws instead of nails. Drill screw holes first to avoid splitting wood. Varnish the bottom of the runner if you use wood, and then wax it up before the derby. Old skis may be available free from ski shops for the asking. Countersink and metal screw skis to bottom rail.

Secure the towing bridle firmly so that the "huskies" don't become separated from the sled.

BILL OF MATERIALS

A.	2 pieces	2"x6"x6'6"	runners.
B.	4 pieces	2"x2"x18"	cross supports.
B1.	1 piece	2"x2"x20"	cross support.
C.	4 pieces	1/2"x4"x5'	floor planks.
D.	2 pieces	1"x2"x40"	rear uprights.
E.	2 pieces	1"x2"x31"	second rear upright.
F.	2 pieces	1"x2"x22"	second front upright.
G.	2 pieces	1"x2"x18"	front uprights.
H.	2 pieces	1"x2"x6'	hand rails.
I.	1 piece	1"x4"x16"	tow bar.
J.	1 piece	1"x2"x20"	handle bar.



FIRST AID

In the event of someone getting hurt, you should contact the nearest Station adult as they have radios to call for help. There will be medical personnel on site.

AWARDS

Upon completion of your last Station, turn in your scores to the Judge at the finish line. Runners will either take or call the score into the registration area so scores can be tallied. Awards will be distributed at the Willits Parade Grounds. Immediately following the Awards and announcements, you will be dismissed to **Hafer Lodge** for a hot dog and hot chocolate. This will conclude the events activities.

TRADING POST

The Trading Post will be open for business after the event. Please patronize our Council and check out the great deals on supplies and snacks. Make sure you have your SPL hand out the hotdog tickets prior to Awards dismissal.

KLONDIKE DERBY SCHEDULE

TIME	EVENT
8:00 am	Arrival/sled registration
8:30-11:30 am	Morning events
11:30 am – 12:30 pm	LUNCH
12:30 – 3:30 pm	Afternoon events
3:30 pm	Awards (Pass the Trophy) & hot dogs
4:00 pm	Trading Post & event cleanup

***COOKING INSTRUCTIONS**

NOTE: LIQUID FUELS ARE NOT PERMITTED AT HAWK MOUNTAIN SCOUT RESERVATION!

Wood burning stoves such as a Hobo Stove are encouraged. Lit charcoal will be provided for lunch cooking so a shovel is necessary to transport charcoal. Cooking is part of the competition and a hot meal is to be prepared and eaten by each participant. One hour is allotted for cooking and cleanup. All patrols will end up cooking and eating at the 3rd check point.

KLONDIKE DERBY SKILL STATIONS

Due to the nature of this year's event, as a timed race the Committee has decided not to disclose any event information. Be Prepared!

**2010 CACOOSING DISTRICT KLONDIKE DERBY
TROOP REGISTRATION FORM AND ROSTER**

Registration forms & roster are due at the Council Service Center by 5:00 PM on Friday, JANUARY 15, 2010. Late registrations will be subject to a late fee of \$1.00 per Scout

TROOP# _____ will have # _____ of Patrols participating in the Cacoosing District Boy Scout Klondike Derby

Please register _____ Scouts @ \$7.00 per Scout \$ _____

Please register _____ Adults @ \$7.00 per Leader \$ _____

Late Fee _____ Scouts @ \$1.00 per Scout \$ _____

_____ Extra Patches @ \$2.50 per Patch \$ _____

_____ Hats @ \$7.00 per Hat \$ _____

NOTE: Due to the nature of this year's event, ALL hats must be purchased in advance. We are sorry to report that we can no longer afford to give free hats to our station volunteers.

TOTAL \$ _____

Event Leader: _____

Address: _____

Phone or Cell Phone No. _____

Please list below the names of any adult volunteers running a station:

NAME	REGISTERED	POSITION

Any questions should be addressed to Peter Secor (484) 794-1754, Bonnie Wyandt (610) 763-7219, or Walt Schneider (610) 926-3406

KLONDIKE PATROL ROSTER

Troop Number _____

Patrol Name for Klondike _____

Scout Name	Totin' Chip (circle Y or N)	Fireman Chit (circle Y or N)
PL -	Y N	Y N
APL -	Y N	Y N
	Y N	Y N
	Y N	Y N
	Y N	Y N
	Y N	Y N
	Y N	Y N
	Y N	Y N
	Y N	Y N
	Y N	Y N
	Y N	Y N
	Y N	Y N
	Y N	Y N
	Y N	Y N
Total youth in patrol:		

NOTE: for troops entering more than 1 patrol, please copy this page and fill out for each patrol entering the event.

